

ALUMA

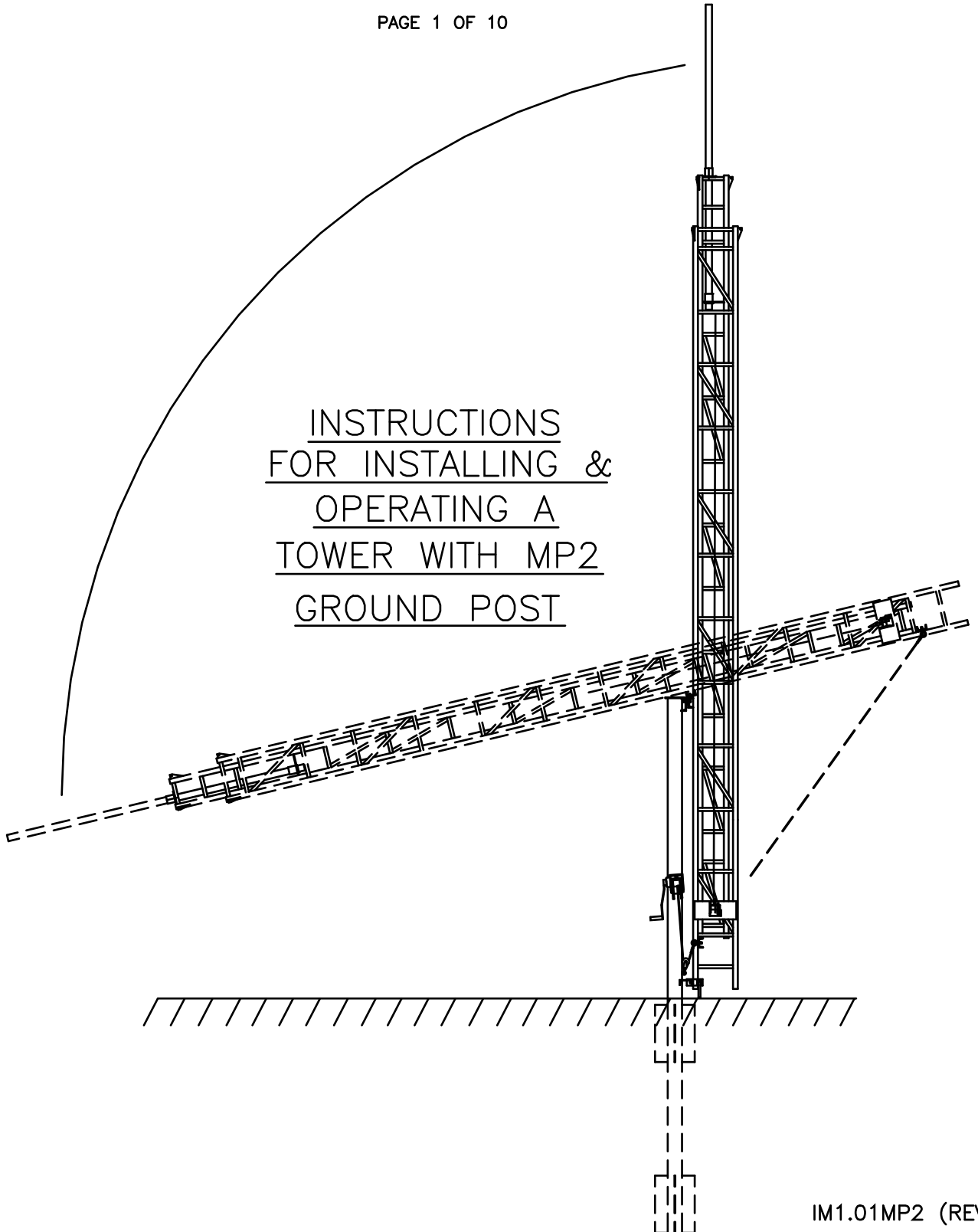
Tower Company, Inc.

1639 Old Dixie Highway
P.O. Box 2806

Vero Beach, FL USA 32961-2806
Voice (772) 567-3423
Fax (772) 567-3432

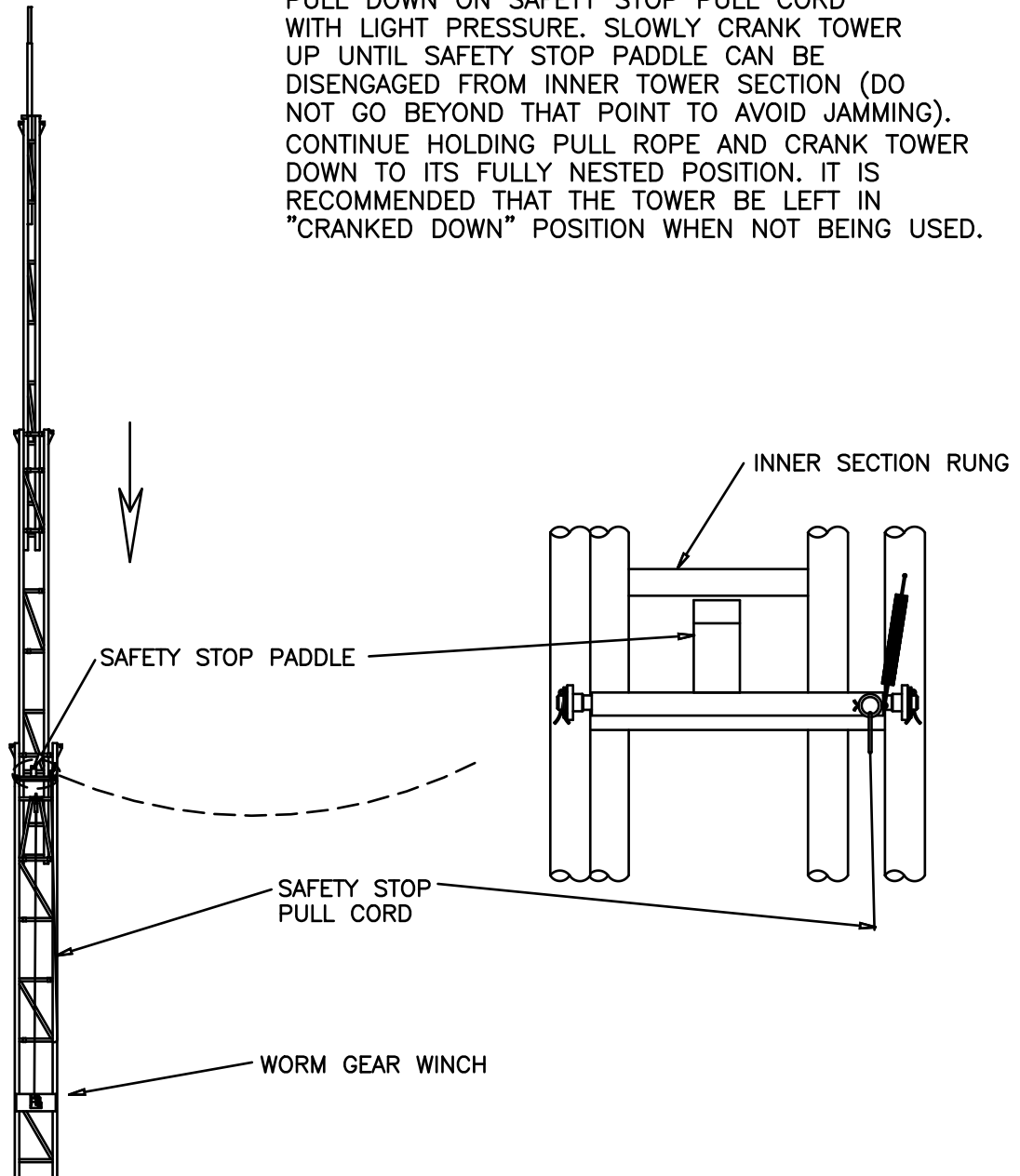
PAGE 1 OF 10

INSTRUCTIONS
FOR INSTALLING &
OPERATING A
TOWER WITH MP2
GROUND POST



IM1.01MP2 (REV.A)

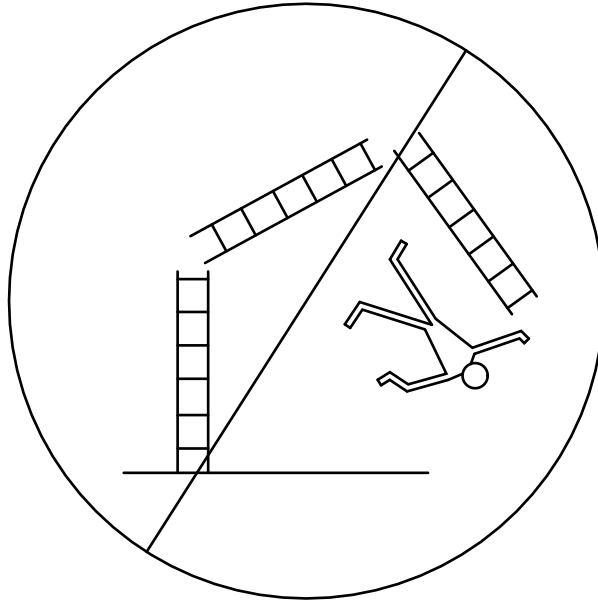
TO LOWER YOUR TOWER
PULL DOWN ON SAFETY STOP PULL CORD
WITH LIGHT PRESSURE. SLOWLY CRANK TOWER
UP UNTIL SAFETY STOP PADDLE CAN BE
DISENGAGED FROM INNER TOWER SECTION (DO
NOT GO BEYOND THAT POINT TO AVOID JAMMING).
CONTINUE HOLDING PULL ROPE AND CRANK TOWER
DOWN TO ITS FULLY NESTED POSITION. IT IS
RECOMMENDED THAT THE TOWER BE LEFT IN
"CRANKED DOWN" POSITION WHEN NOT BEING USED.



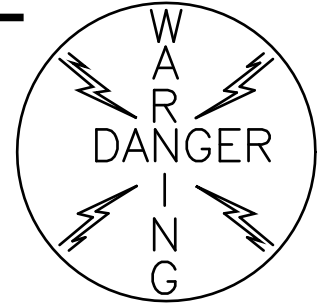
WARNING NOTICE DANGER !!!



**DO
NOT
CLIMB!**



**DEATH
MAY
OCCUR!**



WARNING!

NEVER, UNDER ANY CIRCUMSTANCES, ATTEMPT TO CLIMB YOUR TOWER FOR ANY REASON!!! ALWAYS LOWER TOWER COMPLETELY AND ACCESS YOUR TOWER BY USE OF A SUITABLE LADDER.

ALUMA TOWER COMPANY ASSUMES NO LIABILITY IF FAULTY OR DANGEROUS INSTALLATION PRACTICES ARE USED. THERE ARE AVAILABLE, TRAINED, AND EXPERIENCED PERSONNEL TO ASSIST IN INSTALLATION, MAINTENANCE, OR DISASSEMBLY. CONTACT YOUR LOCAL INSTALLER IF CONSULTATION OR ASSISTANCE IS REQUIRED.

ALL TOWER AND ANTENNA INSTALLATIONS SHOULD BE THOROUGHLY INSPECTED AT LEAST TWICE A YEAR BY QUALIFIED, EXPERIENCED, AND TRAINED PERSONNEL TO INSURE PROPER PERFORMANCE AND SAFETY STANDARDS.

DO NOT ERECT AN ANTENNA, TOWER, OR ROTOR DURING AN ELECTRICAL STORM, RAINSTORM OR WHEN LIGHTNING IS A POSSIBILITY.

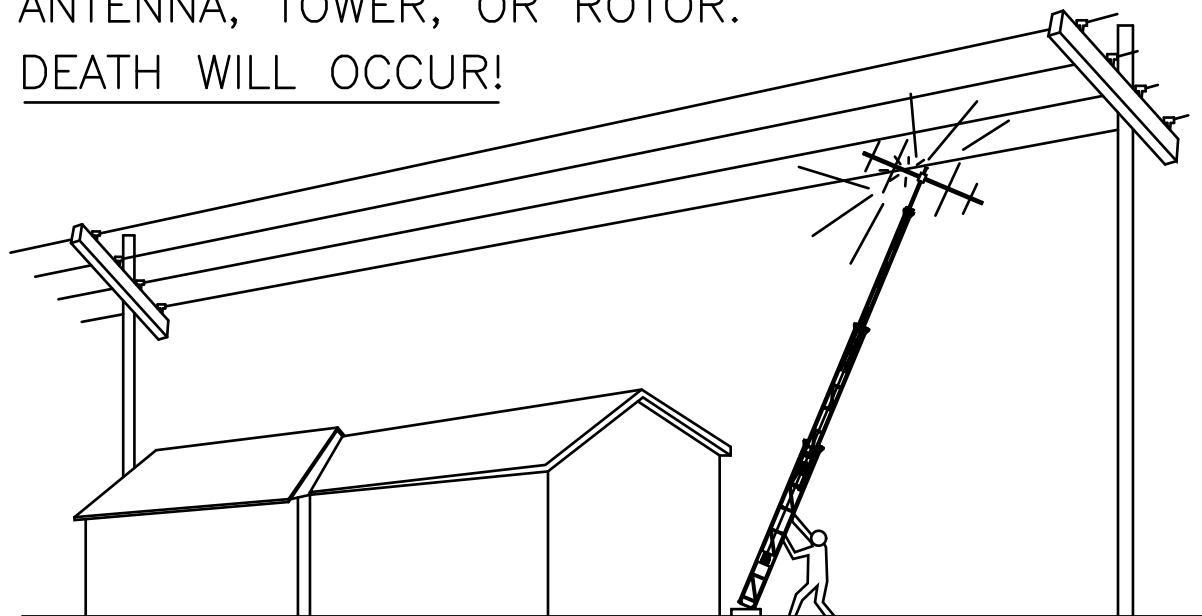
WARNING NOTICE DANGER !!!



CAUTION:

TAKE CARE TO AVOID ANY CONTACT WITH
OVERHEAD POWERLINES WHEN RAISING,
INSTALLING, OR REPAIRING YOUR
ANTENNA, TOWER, OR ROTOR.

DEATH WILL OCCUR!

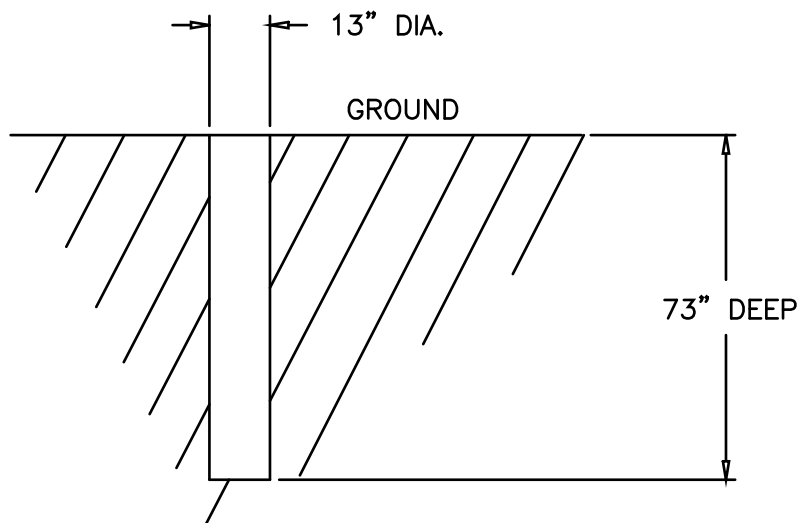


ALUMA TOWER COMPANY ASSUMES NO LIABILITY IF FAULTY OR DANGEROUS INSTALLATION PRACTICES ARE USED. THERE ARE AVAILABLE, TRAINED, AND EXPERIENCED PERSONNEL TO ASSIST IN INSTALLATION, MAINTENANCE, OR DISASSEMBLY. CONTACT YOUR LOCAL INSTALLER IF CONSULTATION OR ASSISTANCE IS REQUIRED.

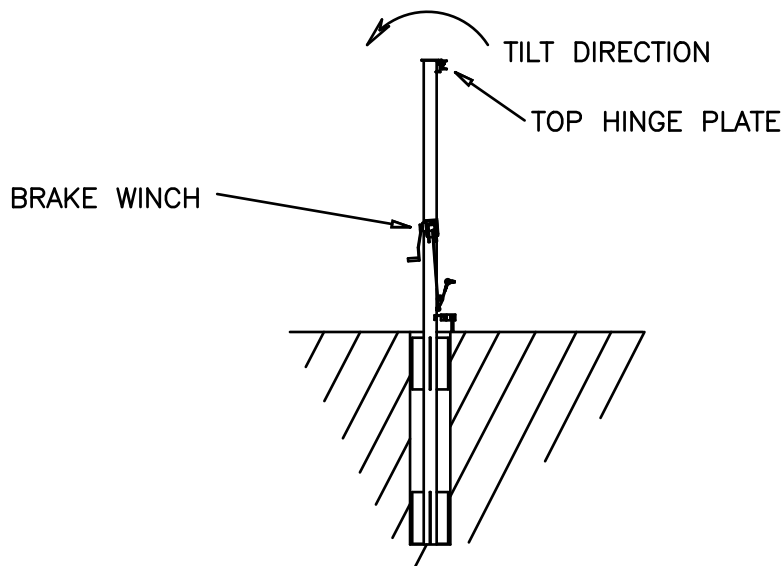
ALL TOWER AND ANTENNA INSTALLATIONS SHOULD BE THOROUGHLY INSPECTED AT LEAST TWICE A YEAR BY QUALIFIED, EXPERIENCED, AND TRAINED PERSONNEL TO INSURE PROPER PERFORMANCE AND SAFETY STANDARDS.

DO NOT ERECT AN ANTENNA, TOWER, OR ROTOR DURING AN ELECTRICAL STORM, RAINSTORM OR WHEN LIGHTNING IS A POSSIBILITY.

THESE INSTRUCTIONS ARE TO ASSIST THE USER IN PROPERLY INSTALLING A TOWER WITH AN MP2 GROUND POST. WHETHER YOUR TOWER CONSISTS OF ONE, TWO OR THREE SECTIONS THE INSTALLATION REMAINS THE SAME.



DIG HOLE TO DIMENSIONS SHOWN ABOVE



SET GROUND POST IN HOLE. BE SURE TO ORIENT TOP HINGE PLATE IN DIRECTION TOWER IS TO TILT OVER. REMEMBER TO WATCH FOR POWER LINES OR OTHER OBSTACLES.

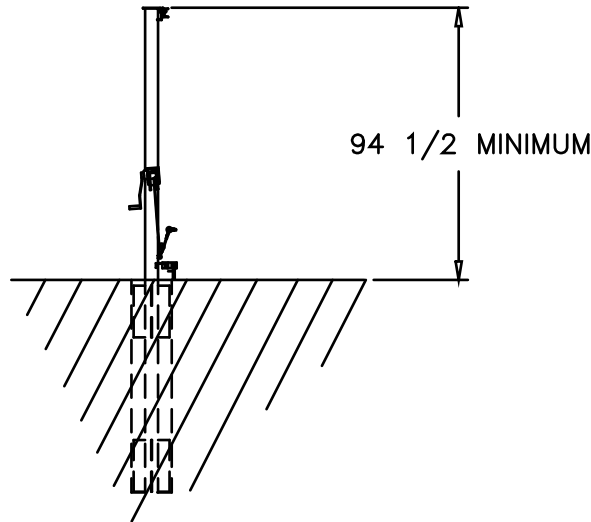
ALUMA

Tower Company, Inc.

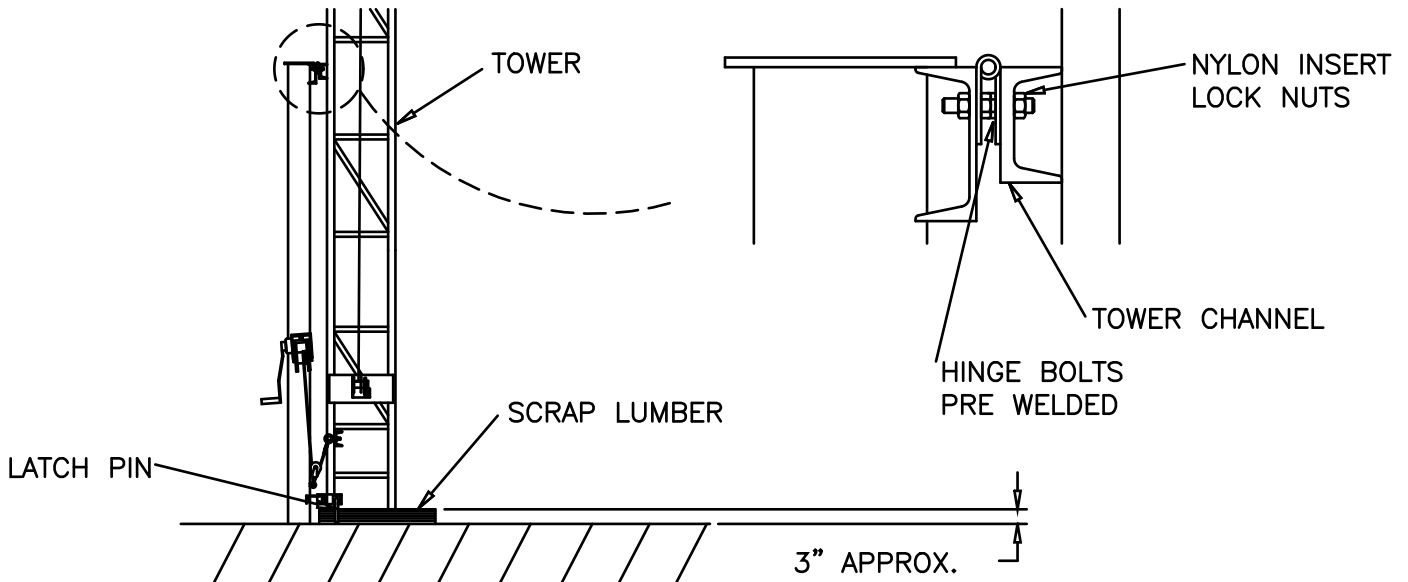
1639 Old Dixie Highway
P.O. Box 2806

Vero Beach, FL USA 32961-2806
Voice (772) 567-3423
Fax (772) 567-3432

PAGE 5 OF 10

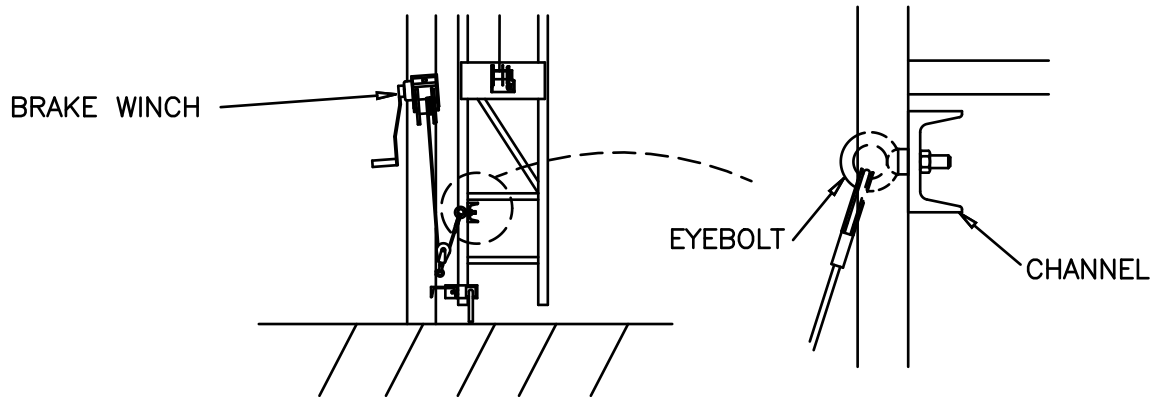


BACK FILL, TAMP AND FLOOD WITH WATER TO INSURE PROPER COMPACTION. CHECK PLUMBNESS AS FILLING. MP2 MUST REMAIN PERFECTLY PLUMB WHEN FINISHED. TOP OF GROUND POST MUST STAND A MINIMUM OF 94 1/2 ABOVE GROUND.

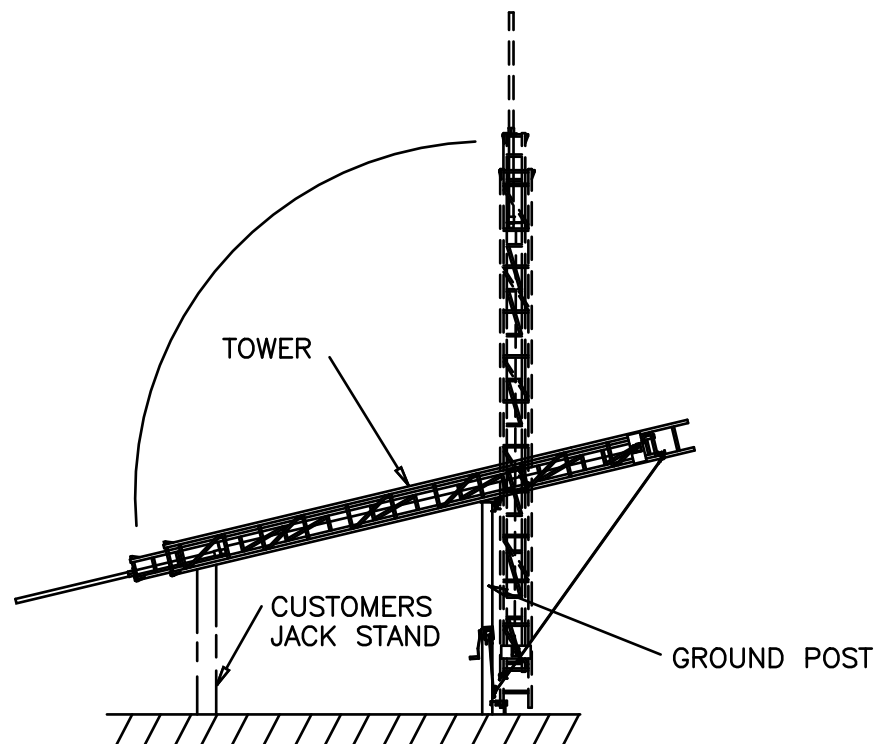


REMOVE LATCH PIN. USE SCRAP LUMBER OR OTHER SUITABLE MATERIAL AS A TEMPORARY SPACER TO SET TOWER ON TOP OF NEXT TO GROUND POST AND ATTACH HINGE TO TOWER CHANNEL WITH 3/8-16 NYLON INSERT LOCK NUTS. (NOTE: HINGE BOLTS ARE PRE WELDED TO HINGE FOR EASE OF ASSEMBLY) RE-INSERT LATCH PIN TO HOLD TOWER IN VERTICAL POSITION AND REMOVE MATERIAL USED FOR SPACER.

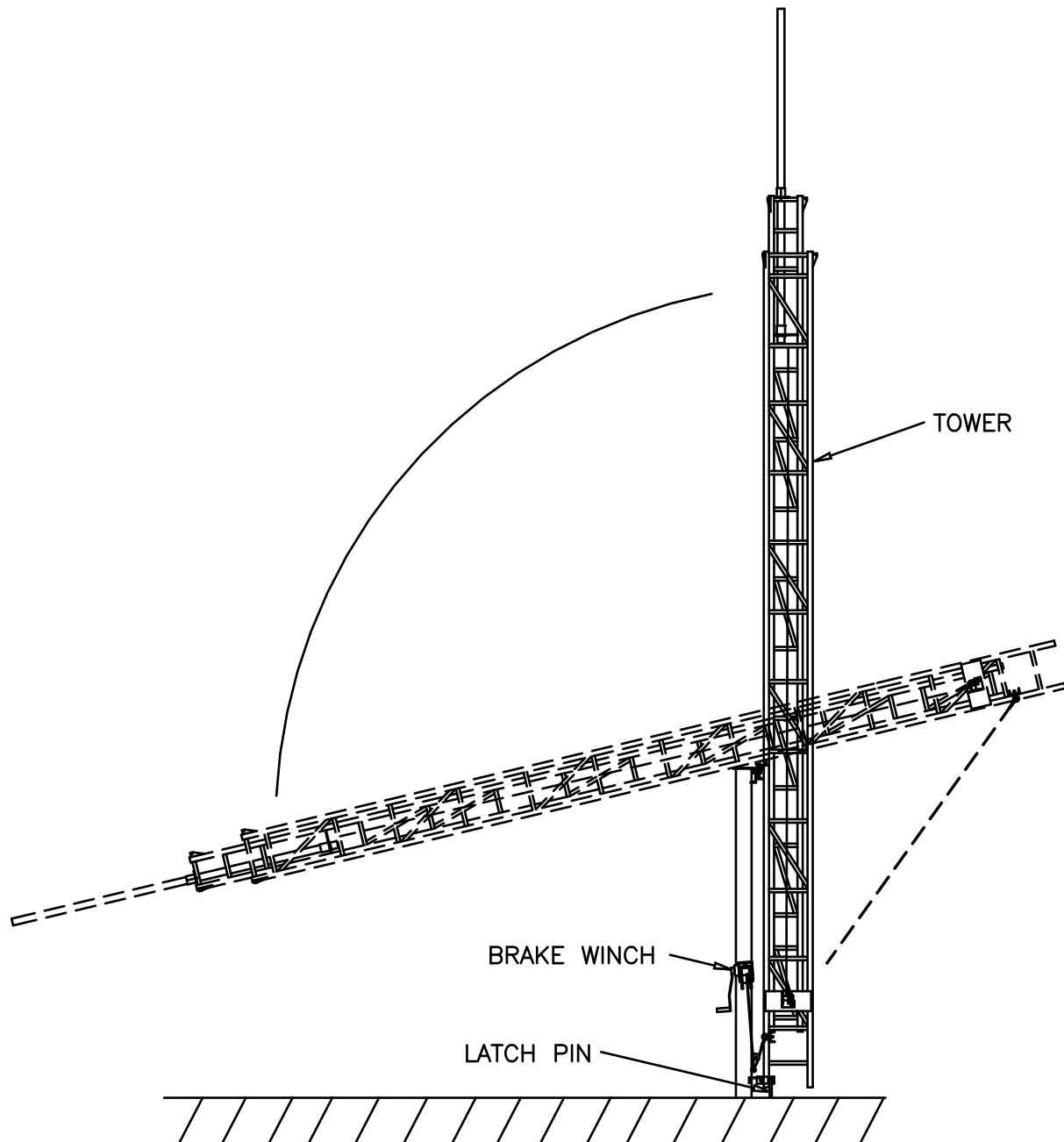
IM1.01MP2 (REV.A)



UNWIND ENOUGH CABLE FROM BRAKE WINCH AND ATTACH EYEBOLT ON END OF CABLE TO PRE-DRILLED HOLE IN CHANNEL ON SIDE OF TOWER. TAKE UP ANY CABLE SLACK AFTER TIGHTENING EYEBOLT.



REMOVE LATCH PIN AND SLOWLY UNWIND BRAKE WINCH UNTIL TOWER IS TILTED IN ITS HORIZONTAL POSITION. A JACK STAND CAN BE USED TO SUPPORT THE TOWER WHILE ANTENNA ADJUSTMENTS ARE BEING MADE IF DESIRED.



ONCE ANTENNA IS INSTALLED AND ADJUSTED, TOWER CAN BE TILTED BACK TO ITS VERTICAL POSITION WITH THE BRAKE WINCH AND LATCH PIN INSERTED TO LOCK IN POSITION.

YOUR TOWER IS EQUIPPED WITH A WINCH TO ALLOW YOU TO RAISE AND LOWER IT.

CRANK TOWER UP UNTIL IT REACHES DESIRED LEVEL. THE SAFETY STOP IS SPRING LOADED AND WILL SNAP INTO ITS LOCKED POSITION AT ANY LEVEL WHERE A RUNG IS AVAILABLE ON THE INSIDE SECTION.

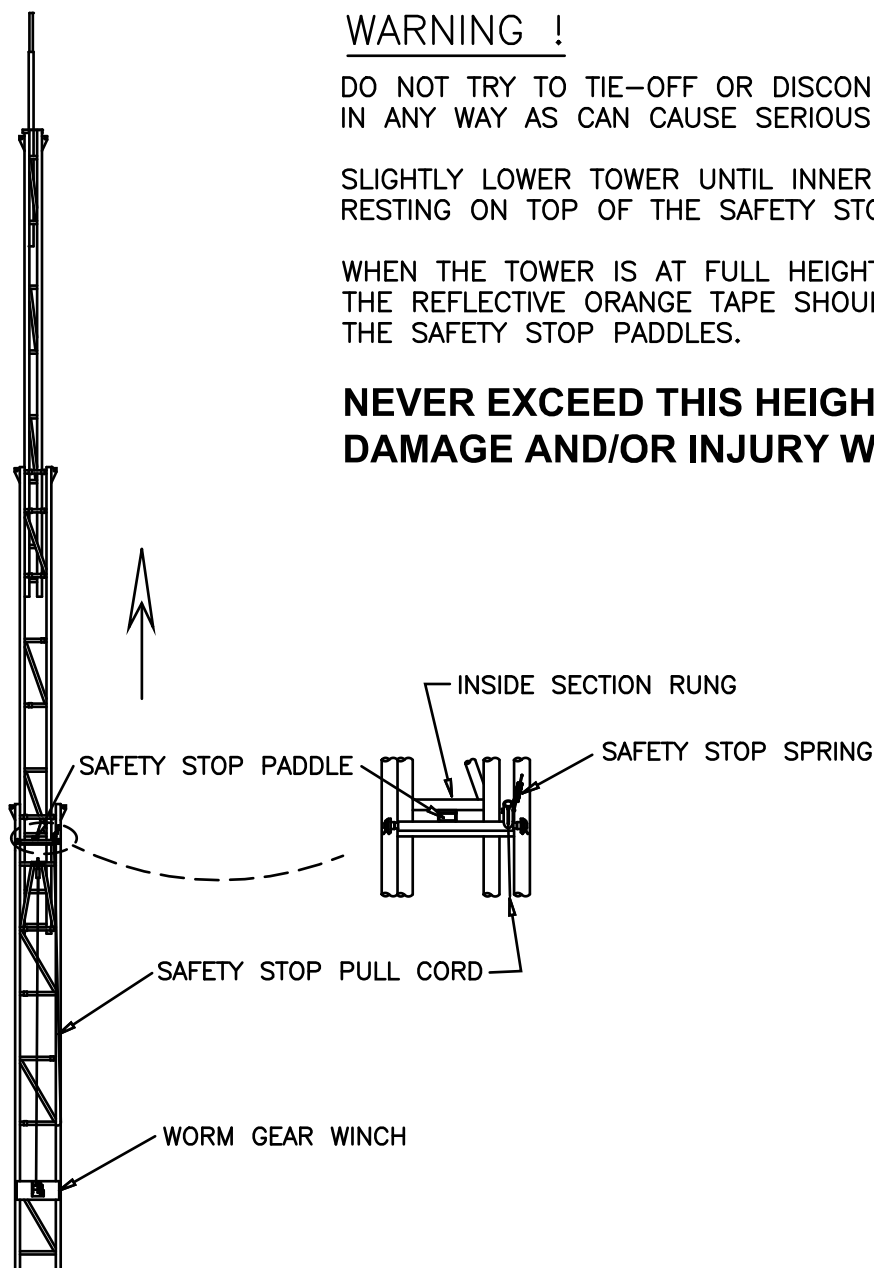
WARNING !

DO NOT TRY TO TIE-OFF OR DISCONNECT SAFETY STOP IN ANY WAY AS CAN CAUSE SERIOUS INJURY.

SLIGHTLY LOWER TOWER UNTIL INNER SECTION IS RESTING ON TOP OF THE SAFETY STOP PADDLE.

WHEN THE TOWER IS AT FULL HEIGHT, THE RUNG WITH THE REFLECTIVE ORANGE TAPE SHOULD BE RESTING ON THE SAFETY STOP PADDLES.

NEVER EXCEED THIS HEIGHT OR SERIOUS DAMAGE AND/OR INJURY WILL OCCUR!



IF GUY WIRES ARE BEING USED REFER TO THE ALUMA TOWER GUY KIT DRAWING FOR YOUR PARTICULAR TOWER AND ANCHOR GROUND ENDS OF GUY WIRES TO DIMENSIONS SHOWN. ADJUST SO THAT THE TOWER IS VERTICAL AND EQUAL PRESSURE IS APPLIED IN ALL DIRECTIONS (USE PLUMB TO DOUBLE CHECK).

